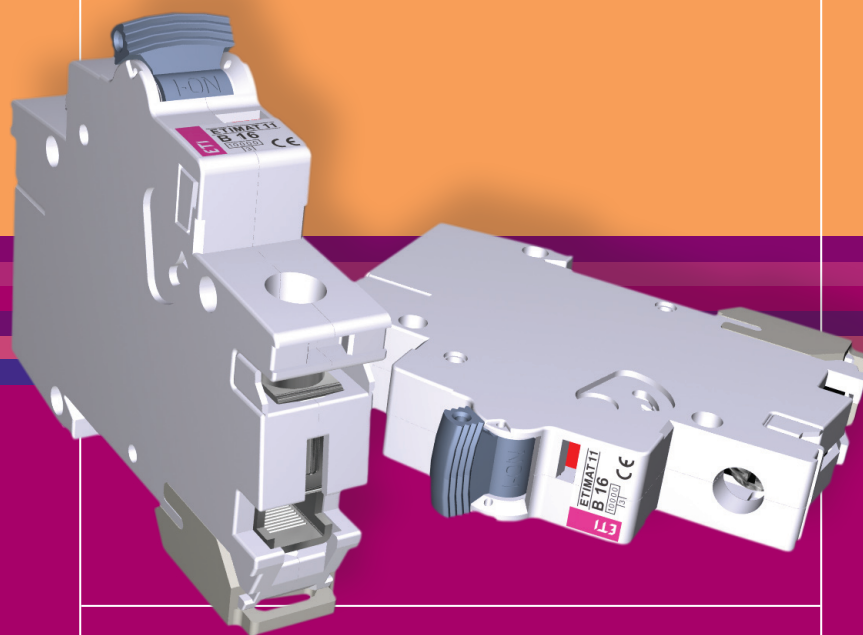


- **ETIMAT 11**

Miniature circuit breaker 10 kA up to 63 A



New!

**ETI**

**ETI Elektroelement d.d.**

Obrezija 5, SI - 1411 Izlake  
Slovenija

Tel. + 386 03 56 57 570

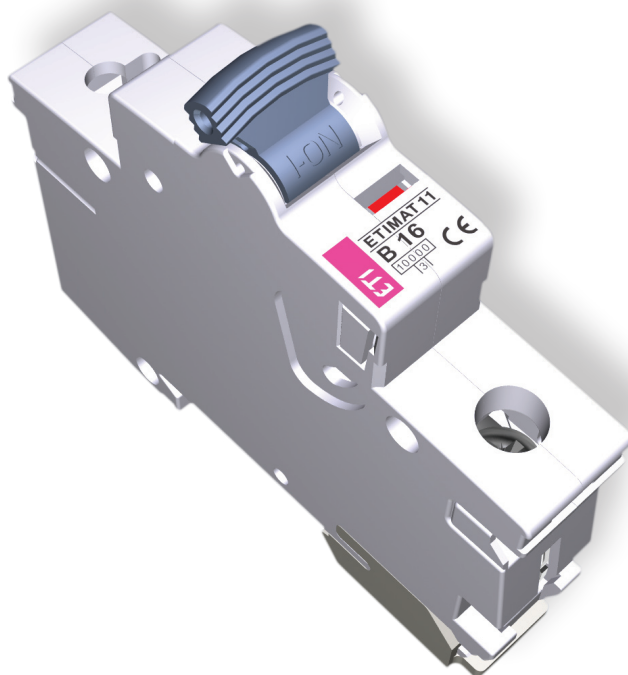
Faks + 386 03 56 74 077

eti@eti.si

[www.eti.si](http://www.eti.si)

## ETIMAT 11 - Miniature circuit breaker

New generation of industrial miniature circuit breakers – MCB.  
Current limiting MCB's with undelayed magnetic and delayed thermal trips, with fixed setting and high short circuit capacity. Protection and control of electrical wires, cables and appliances in the case of overcurrent due to overloads and short circuits.



| Technical data               |   |
|------------------------------|---|
| Standards                    | EN60898, IEC 60898  |
| Number of poles              | 1, 2, 3, 4, 1+N, 3+N  |
| Time current characteristics | B, C, D and K   |
| Rated currents               | B: 6 - 63 A, C: 0,5 - 63 A, D: 0,5 - 32 A, K: 0,5 - 32 A                                    |
| Rated voltage                | 230/400 V   |
| Rated short circuit capacity | 10 kA   |
| Energy limiting class        | 3 for B and C 6 - 32 A  |
| Terminals                    | 1 - 25 mm <sup>2</sup>  |
| Mechanical endurance         | 20 000 op.c.  |
| Electrical endurance         | 20 000 op.c., 10 000 op.c. ( $I_n > 32$ A)  |
| Ambient temperature          | -25 °C to +55 °C  |
| Accessories                  | auxiliary switch, shunt trip, remote control, terminal cover, sealing cover, locking device |